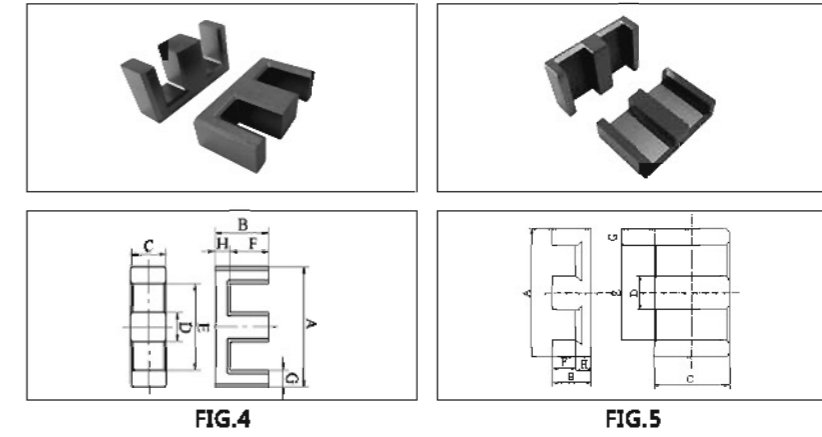
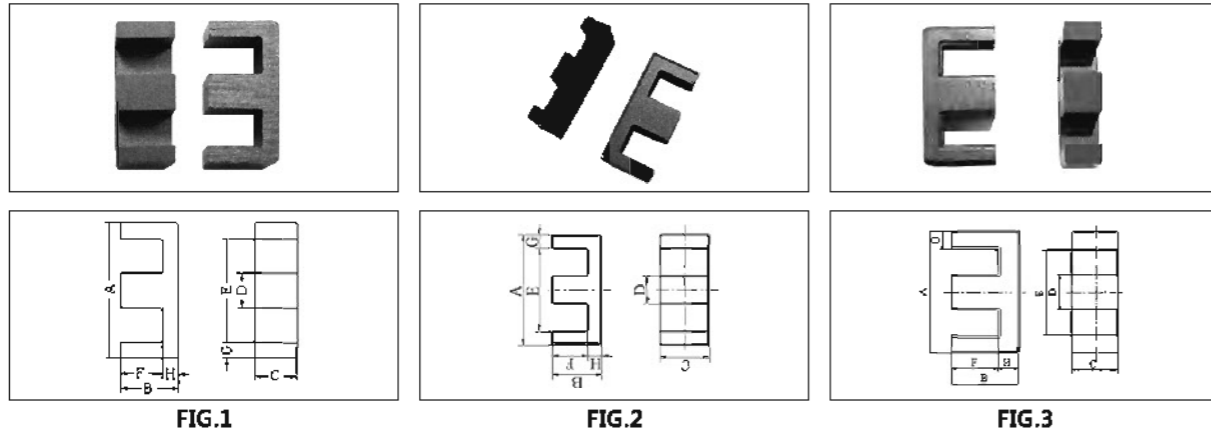


EE 型 / EE Core

型号 TYPE	图例 FIG.	尺寸 Dimensions (mm)					
		A	B	C	D	E	F
EE5/5/2J	1	5.25±0.15	2.65±0.1	1.95±0.1	1.35±0.1	3.8min	2±0.1
EE6.3/6/2B	1	6.3+0/-0.25	2.9±0.1	2.0±0.1	1.4±0.1	3.6min	1.9±0.1
EE8.3/10.8/3.9	1	8.3+0.25/-0.2	5.4±0.15	3.85±0.15	2.1±0.1	6.2+0.35/-0	4.4±0.15
EE8.3/8/4AA	2	8.3±0.3	4.0±0.2	3.9±0.2	2.0+0/-0.3	6.0min	3.0+0.2/-0.1
EE8.3/8/4CC	1	8.3+0.2/-0.3	4±0.2	3.9±0.15	2.15+0.05/-0.15	6.3min	3+0.2/-0.1
EE8.8/8.1/3.9	2	8.7+0.3/-0.2	4+0.2/-0.1	3.9±0.1	2.1±0.1	6.6+0.35/-0	3+0.2/-0.1
EE10.2/13.1/4.8	3	10.2±0.2	6.55±0.1	4.8±0.15	2.4±0.15	7.85±0.2	5.35±0.15
EE10/11/5H	1	10.2±0.3	5.5±0.2	4.8±0.3	2.5±0.2	7.5min	4.3±0.2
EE13.1/13.9/3.6A	3	11+0.25	6±0.15	3.1±0.2	2.5±0.2	7.6±0.25	3.85±0.15
EE11/12/3A	3	11.4±0.3	6.4±0.2	3.85±0.2	2.8±0.15	8.6±0.3	4.95±0.2
EE11.4/12.8/3.9	3	12.6+0.5/-0.4	6.3+0.1/-0.2	3.6±0.2	3.65±0.15	8.8min	4.65+0.15/-0.2
EE12.5/13/4BX	3	12.6+0.5/-0.4	6.4±0.2	3.6±0.2	3.65±0.15	8.8min	4.65±0.25
EE12.5/13/4T	3	13.0±0.4	6.0±0.3	5.9±0.3	2.8+0/-0.4	9.8min	4.6±0.3
EE13/12/6B	4	13.1±0.35	6.95±0.15	3.6±0.2	3.6±0.2	9.45min	5±0.15
EE13.3/12.3/6.2	3	13.3±0.3	6.15±0.2	6.15±0.2	2.6±0.2	10.1min	4.75±0.15
EE16/15/5CP	3	16.0±0.4	7.3±0.3	5.1+0/-0.5	4.0±0.2	11.7min	5.2+0.3/-0
EE16/16/5A	3	16.+0.7/-0.5	8.2+0/-0.3	4.7+0/-0.4	4.7+0/-0.3	11.3+0.6/-0	5.7+0.4/-0
EE16/16/5AC	3	16±0.3	8.3+0/-0.3	4.5±0.2	4.5±0.2	11.45+0.7/-0	6.0±0.2
EE16/16/5B	3	16±0.5	8.1±0.3	4.5±0.3	4.5±0.2	11.4min	5.9±0.3
EE16.2/20/4.7	3	16.2±0.25	10±0.15	4.7+0.1/-0.2	4.7+0.1/-0.2	11.3+0.4/-0	7.6±0.15
EE16.3/25/4.7	4	16.4+0.2/-0.4	12.45+0.2/-0.15	4.8+0/-0.3	4.15±0.15	12.2min	10.45+0.2/-0.15

C1	Ae	Le	Amin	Ve	AL(±25%)				重量 g / PRS
					TS5	TS7	TS10镜面	TS13镜面	
4.93	2.57	12.66	2.53	32.50	400	530	960min	1200min	0.24
3.5	3.53	12.34	2.80	43.60	480	530	1100min	1300min	0.20
3.22	7.76	25.01	7.51	194.10	920	1050	1500min	1680min	1.00
2.63	7.46	19.63	7.21	146.50	1050	1200	1500 min	1800 min	0.80
2.7	7.21	19.47	6.44	140.40	1050	1190	1500 min	1800 min	0.73
2.54	7.89	20.03	7.70	158.00	1150	1300	1750 min	2000 min	0.82
2.68	11.43	30.6	11.28	349.70	1360	1580	1960 min	2300 min	1.80
2.25	11.69	26.3	11.52	307.40	1500	1730	2100 min	2500 min	1.60
2.61	9.63	25.16	7.75	242.30	1250	1450	1900 min	2100 min	1.30
2.76	10.88	30.07	10.78	327.20	1300	1500	1900min	2240min	1.70
2.38	12.36	29.38	11.66	363.10	1500	1750	2150min	2550min	1.90
2.33	12.72	29.67	12.42	377.40	1530	1780	2240min	2600min	1.96
1.88	16.08	30.28	15.34	487.00	1900	2200	2800min	3250min	2.50
2.49	12.79	31.85	11.88	407.40	1500	1750	2150min	2520min	2.12
1.84	16.94	31.1	15.99	526.80	2000	2300	2900min	3400min	2.74
1.87	19.08	35.66	18.91	680.40	1800	2000	3000min	3500min	3.56
1.84	20.29	37.46	19.35	760.10	1850	2100	3100min	3600min	3.95
1.95	19.48	38.06	19.48	741.50	1750	2050	2950min	3500min	3.86
1.94	19.42	37.77	18.45	733.60	1750	2050	2950min	3500min	3.80
2.04	21.87	44.69	21.62	977.30	1800	2100	3000min	3500min	5.10
3.06	18.45	56.45	17.67	1041.50	1350	1600	2100min	2550min	5.40



EE型 / EE Core

型号 TYPE	图例 FIG.	尺寸 Dimensions (mm)					
		A	B	C	D	E	F
EE16.5/13/9	1	16.48±0.3	6.5+0.1/-0.25	9±0.2	3.18+0/-0.3	9.78min	4+0.4/-0
EE16/25/5E	3	16.8±0.2	12.5±0.3	4.85±0.2	4.0±0.15	12.5min	10.3±0.3
EE17.5/15/4.9	3	17.5±0.3	7.5±0.2	4.9±0.2	4.7±0.15	12.7min	5.3±0.15
EE19/16/5A	3	19±0.4	8±0.3	5+0.1/-0.5	5+0/-0.5	13.8min	5.6+0.4/-0.1
EE19/27/5E	3	19.0±0.4	13.6±0.3	5.1+0/-0.5	5.1+0/-0.5	13.5min	11.3±0.3
EE20/19.8/5.7C	4	20±0.6	9.9±0.2	5.7±0.25	5.7±0.2	14.8min	7.2±0.2
EE20/20/6EO	4	20±0.35	10.1+0/-0.3	5.9+0/-0.3	5.9+0/-0.4	14.6min	7+0.4/-0
EE20/20/6F	4	20.0±0.6	9.9±0.2	5.7±0.25	5.7±0.2	14.1min	7.2±0.2
EE20/22/6C	3	20±0.4	10.95±0.15	5.7±0.2	5.65±0.15	14.6±0.3	8.25±0.15
EE20/20/5	4	20.4±0.4	10±0.2	5.1±0.25	5.1±0.2	13min	6.9±0.2
EE20.5/21.4/7B	3	20.5±0.3	10.7±0.3	7±0.3	6±0.2	14.5±0.3	7±0.2
EE22/22.5/5.7	4	22±0.6	11.25±0.25	5.7±0.25	5.75±0.25	15.9±0.25	8.25±0.25
EE22/30/6D	3	22.0±0.6	15.0±0.3	6.0+0/-0.5	6.0+0/-0.5	15.6min	11.0±0.3
EE22.3/22.5/5.7A	4	22.3±0.4	11.25±0.25	5.7±0.2	5.75±0.2	16.2±0.4	8.25±0.25
EE25/26/7B	4	25.05±0.75	12.55±0.25	7.2±0.3	7.25±0.25	17.5min	8.95±0.25
EE25/32/6F	3	25.3+0.5/-0.3	15.8+0.3/-0.1	6.35±0.25	6.5+0.2/-0.25	19.3+0.4/-0.2	12.7±0.25
EE25/32/7	3	25.3+0.5/-0.3	16.0±0.3	7.0+0/-0.5	6.5+0.3/-0.25	19.1min	12.8±0.3
EE25.4/19.6/6.3A	4	25.4±0.5	9.8±0.2	6.3±0.2	6.35±0.25	18.55min	6.8±0.2
EE25/19/6E	4	25.4±0.5	9.7±0.3	6.3±0.2	6.35±0.25	18.55min	6.65±0.35
EE25/32/6	3	25.4±0.4	15.9±0.25	6.35±0.25	6.35±0.3	18.8min	12.7±0.3
EE25/20/6AP	4	25.6±0.5	10.0±0.3	6.35±0.3	6.35±0.3	18.8min	6.8+0.35/-0.1

C1	Ae	Le	Amin	Ve	AL(±25%)				重量 g / PRS
					TS5	TS7	TS10镜面	TS10镜面	
0.8	35.61	28.63	27.27	1019.50	3650	4100	6400min	7400min	5.30
2.83	19.96	56.48	19.40	1127.30	1450	1750	2300min	2800min	5.86
1.65	22.2	36.55	21.56	811.30	2050	2350	3400min	4050min	4.22
1.77	22.46	39.71	21.60	891.90	1950	2300	3300min	3900min	4.64
2.6	23.69	61.69	22.31	1461.40	1650	1950	2520min	3100min	7.60
1.58	29.31	46.4	26.22	1360.00	2350	2800	3850min	4600min	7.10
1.5	30.96	46.47	29.04	1438.70	2500	2950	4000min	4900min	7.48
1.49	31.13	46.32	30.21	1441.90	2500	2950	4000min	4900min	7.50
1.61	31.28	50.51	30.78	1579.90	2400	2850	3900min	4650min	8.20
1.49	30.08	44.75	26.01	1346.20	2500	2900	4050min	4850min	7.00
1.06	44.29	46.73	42.00	2069.70	3600	4200	5800min	7000min	10.80
1.55	33.85	52.48	32.77	1776.50	2550	3000	4050min	4900min	9.20
1.83	35.28	64.4	33.06	2272.00	2350	2850	3650min	4450min	11.80
1.56	33.86	52.78	32.78	1786.96	2550	3050	4050min	4900min	9.30
1.14	50.86	57.93	48.96	2946.10	3650	4350	5700min	6900min	15.30
1.85	39.77	73.56	38.10	2925.60	2450	2950	3700min	4550min	15.20
1.77	41.76	73.93	39.15	3087.50	2550	3100	3900min	4750min	16.00
1.27	39.18	49.57	37.80	1942.20	3050	3600	4900min	5900min	10.00
1.24	39.42	49.06	38.43	1934.10	3100	3650	4950min	6000min	10.00
1.84	40.03	73.59	39.37	2945.90	2450	3000	3750min	4550min	15.30
1.27	39.76	50.44	39.05	2005.50	3050	3650	4950min	5950min	10.40

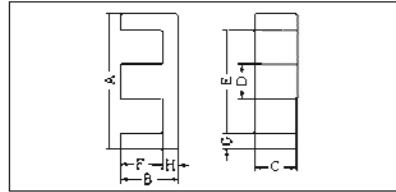
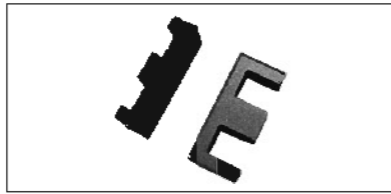


FIG.1

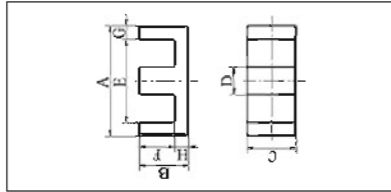


FIG.2

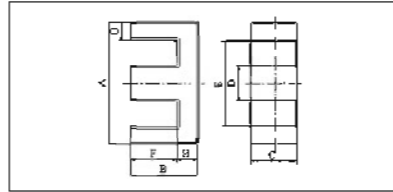


FIG.3

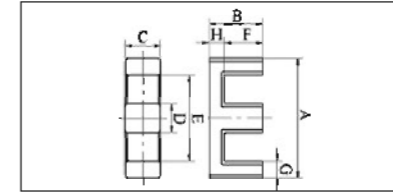
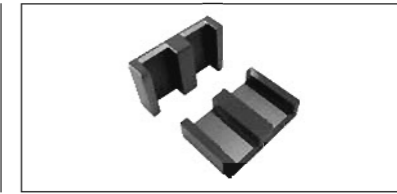


FIG.4

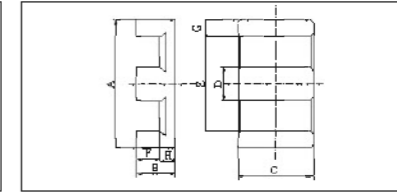


FIG.5

EE 型 / EE Core

型号 TYPE	图例 FIG.	尺寸 Dimensions (mm)					
		A	B	C	D	E	F
EE25/20/6H	4	25.6±0.5	10.0±0.3	6.35±0.3	6.35±0.3	18.8min	6.8±0.25
EE30/30/7B	3	30.5±0.5	15±0.3	7±0.3	6.9±0.3	19.5min	10.2±0.3

C1	Ae	Le	Amin	Ve	AL(±25%)				重量 g / PRS
					TS5	TS7	TS10镜面	TS13镜面	
1.24	40.33	50.14	40.01	2022.30	3150	3700	5050min	6050min	10.50
1.12	59.03	66.07	48.30	3900.30	3900	4700	6000min	7350min	20.30